

NANO CYGNET

(ALL TITANIUM)

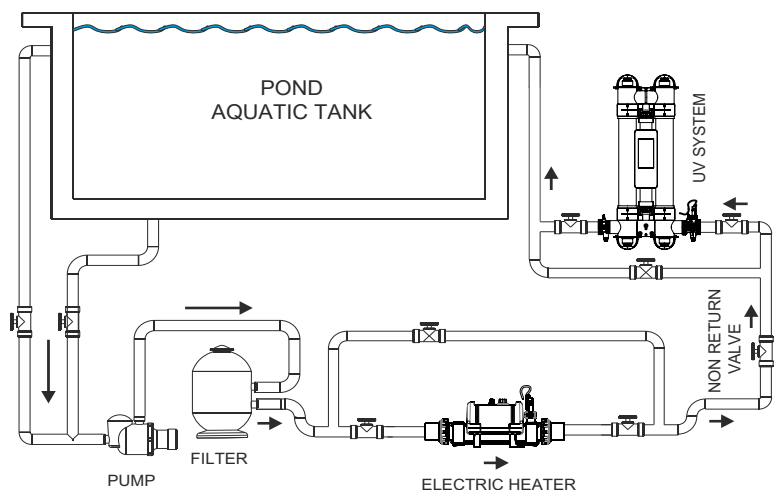
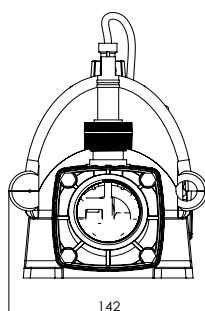
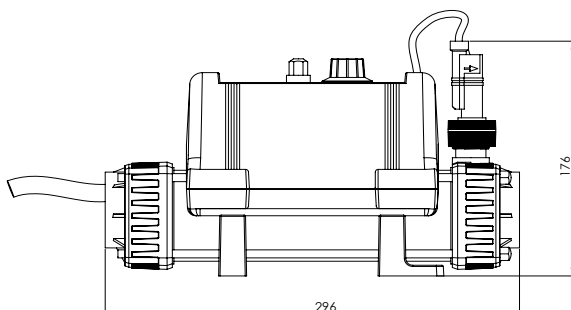
Specifically designed to ensure maximum safety, reliability and efficiency, the Cygnet Aquatic heater is user-friendly and offers “plug & play” installation for the 1-kW to 4-kW models. The thermostat dial gives you control over the desired pond temperature, while the thermal cut-out protects against over-heating.



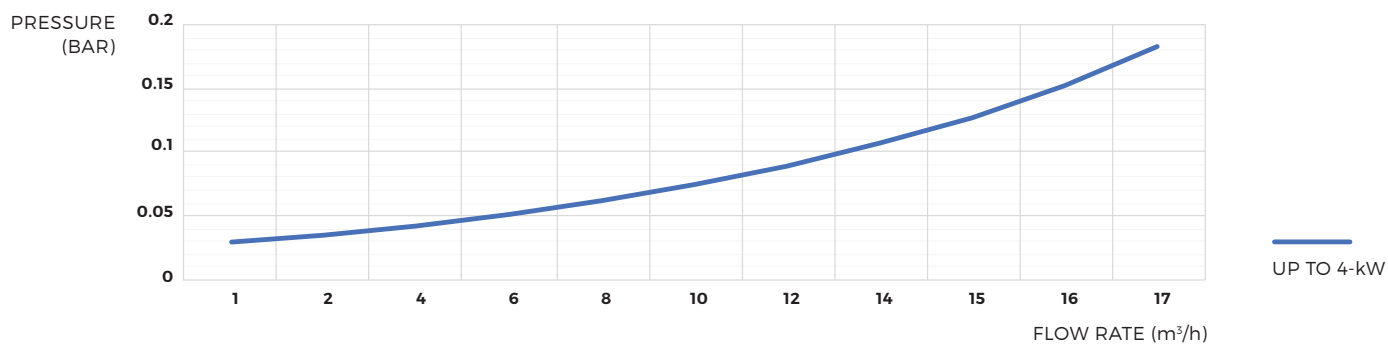
FEATURES

- Various power options ranging from 1-kW to 4-kW
- Easy installation, fully equipped and pre-wired
- Robust, durable construction
- Ultra-reliable flow switch allows safe operation
- Supplied with temperature thermostat and overheating sensor
- Compact, durable design
- Analogue control with 1.2°C differential
- Titanium flow tube and titanium heating element
- Can be floor or vertically wall mounted
- Vortex, long life, stay clean heating element technology
- 100% efficiency throughout the product life
- Silent operation

TECHNICAL DRAWINGS



PRESSURE DROP



SPECIFICATIONS

POWER SUPPLY	220-240V single phase
FLOW REQUIREMENTS	Minimum flow: 1m³/h Maximum flow: 17m³/h
HEATING ELEMENT	Grade 1 titanium
FLOW TUBE	Grade 1 titanium
CONTROL THERMOSTAT	Analogue: 0 > 45°C (1.2°C differential)
SAFETY THERMAL CUT OUT	60°C (manual reset)
FLOW SWITCH	Rhodium tipped reed switch with titanium fulcrum pin
RELAY	Surface mount DPDT Finder 66.82.8.230.0000
SEALS	High temperature special formula EPDM ferrules, TPE end fitting gaskets
WATER CONNECTIONS	1.5" BSP female thread supplied with 1½" / 50mm stepped ABS unions for rigid pipe and 1½" / 1¼" stepped hose tails for flexible pipe
INTERNATIONAL PROTECTION MARKING	IP44
FREQUENCY	50/60 Hz
WORKING PRESSURE	4 bar maximum
MOUNTING	Floor or wall mounting

MODELS

220-240V 1-PHASE	LOAD	PRODUCT CODES		NET WEIGHT	GROSS WEIGHT	VOLUME
		UK Plug (Type G)	Euro Plug (Type F)			
Power Output	Amp			kg	kg	m³
1-kW		KC-1-UK-T	KC-1-EU-T	2.38	3.54	0.0195
2-kW		KC-2-UK-T	KC-2-EU-T	2.38	3.54	0.0195
3-kW		KC-3-UK-T	KC-3-EU-T	2.38	3.54	0.0195
4-kW		KC-4-T*		2.38	3.54	0.0195

* does not come with the plug and must be installed by a qualified electrician